

యోగి వేమన విశ్వవిద్యాలయం
YOGI VEMANA UNIVERSITY
Vemanapuram, Kadapa - 516005, Andhra Pradesh, INDIA.
(శుక్రజ్ఞానోగీన శానెపో బ్రహ్మంబు :: If know thyself, Thou Art the Divinity)

ఆచార్య కె. చంద్రయ్య, M.Sc., M.Phil., Ph.D.,
కులసచివులు
Prof. K. Chandraiah, M.Sc., M.Phil., Ph.D.,
REGISTRAR



08562 -225429
Fax 08562 -225419
98858 07919
94900 83127
registraryvu@gmail.com
chandraiah2002@yahoo.co.uk
kchandraiah@svuniversity.ac.in

Ref: YVU/Devp/ library/ steel book case & Steel Almirah /call for quotation/2019 Dt:19-01-2019.

Subject: Inviting quotations for the supply of Steel Almirah , Display Rack With Glass Doors, Stainless steel Library book trolley & Library two step stool to the Dr A.P.J Abdul Kalam Central Library, YVU, Kadapa.

Ref: Vice-Chancellor's orders dated 11-01-2019.

Sir,

The Registrar, Yogi Vemana University, Kadapa invites sealed Quotations from various firms for the supply of Steel Almirah , Display Rack With Glass Doors, Stainless steel Library book trolley & Library two step stool along with accessories at the Dr A.P.J Abdul Kalam Central Library, YVU, Kadapa. The details are furnished below:

S.No	Name and Specification of the Items	Quantity
1	Stainless steel Library book trolley Dimension: H - 1000 x W - 800 x D 425 mm having , 2 nos. shelf with central partition with four swivel castors wheels, Powder coated. (Refer Annexure -1)	01
2	Display Rack With Glass Doors Make: Godrej ; Model: KD Book Case Dimension: Overall Dimensions of 914mm(W) x 320mm (D) x 1742mm(H) Top Pannel, Back Pannel and Side Pannel thickness=0.7mm other components thickness= 0.8mm, Glass thickness=3mm. (Refer Annexure -2)	03
3	Library two step stool, Make: Godrej with the following specifications. Dimension: 665mm(L) x 485mm(W) x 393mm(H). (Refer Annexure -3)	10
4	Almirah (5- Shelf) Make : Godrej Interio. Model: Storwel Plain Dimension: 1981mm (H) x 916mm (W) x 486mm (D) (Refer Annexure -4)	03

Quotations shall be addressed to the Registrar, Yogi Vemana University, Vemanapuram, Kadapa 516005, in a sealed Cover, super scribing **YVU/Devp/Library/ Almirah , Display Rack with glass door, book trolley & two step stool / call for quotations-2019, dated: 19-01-2019** and the same should reach the YVU on or before 4th February, 2019 at 4 p.m. The Quotations may send by Registered Post/Speed post/Ordinary Post/Courier/Drop box only. The firms are requested to mention the GST Number in quotation otherwise the quotation stands cancelled. Incomplete Quotations and the Quotations received after the due date and time will not be entertained.

The Registrar, Yogi Vemana University, Kadapa reserves the right to accept/ reject/cancel any or all Quotations without assigning any reason thereof.

Thanking you,


REGISTRAR

Copy To

1. The Convener, Web Committee, YVU , Kadapa with a request to place the call letter in the university website.
2. File.

- 1. Stainless steel Library book trolley with the following specifications.**
Size of H - 1000 x W - 800 x D 425 mm having , 2 nos. shelf with central partition with four swivel castors wheels, Powder coated.



2. Display Rack With Glass Doors, Make: Godrej ; Model: KD Book Case

Dimension: Overall Dimensions of 914mm(W) x 320mm (D) x 1742mm(H)

Top Pannel, Back Pannel and Side Pannel thickness=0.7mm

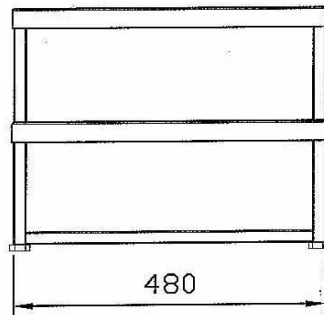
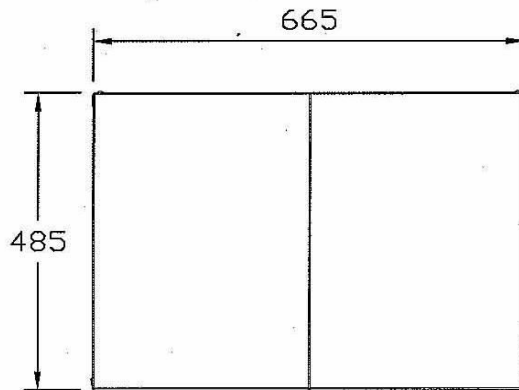
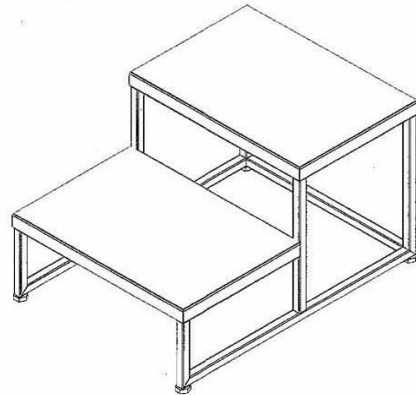
other components thickness= 0.8mm, Glass thickness=3mm.



3. Library two step stool, Make: Godrej - the following specifications. Annexure - 3



Product/Model: TWO STEP STOOL



Description	Two step stool is a sturdy stool for supporting the patient while accessing the bed or examination table.
Overall Sizes	(L)665 mm X (W)485 mm X (H)393 mm

Material Specifications

Sr.No	Parts	Material Description	Section	Thickness	Remarks
1	Understructure Frame	M.S.	19mm x 19 mm	1.2 mm	Understructure Frame consists of six vertical tubes, three horizontal pipes at the bottom & ten tubes at the top to support the sheet metal top. This makes it very strong & rigid.
2	Stool Top	M.S.	-	1.2 mm	Sheet metal top is provided for standing purpose.
3	Rubber Mat	Natural Rubber	-	3.2 mm	Textured Rubber Mat is placed on the sheet metal top for getting a good grip while climbing.

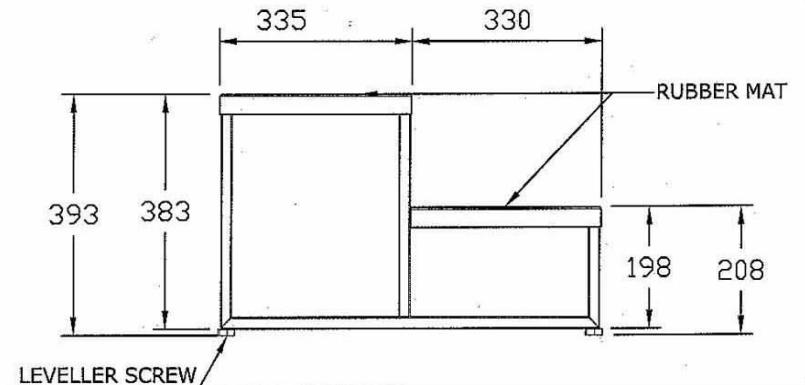
Finish Specifications

1	Powder coating	Anti Microbial and thermosetting epoxy polyester, formulated to fulfill the requirements for bacterial protection.
2	Color	RAL white, rubber mat in Grey

Performance Specifications

1	Maximum Patient Load	135 kg
---	----------------------	--------

Note: All dimensions are in mm
Overall dimensions may vary within ± 5 mm



4. Almirah (5- Shelf) Make : Godrej ; Model: Storwel Plain - the following specifications.

Annexure - 4

